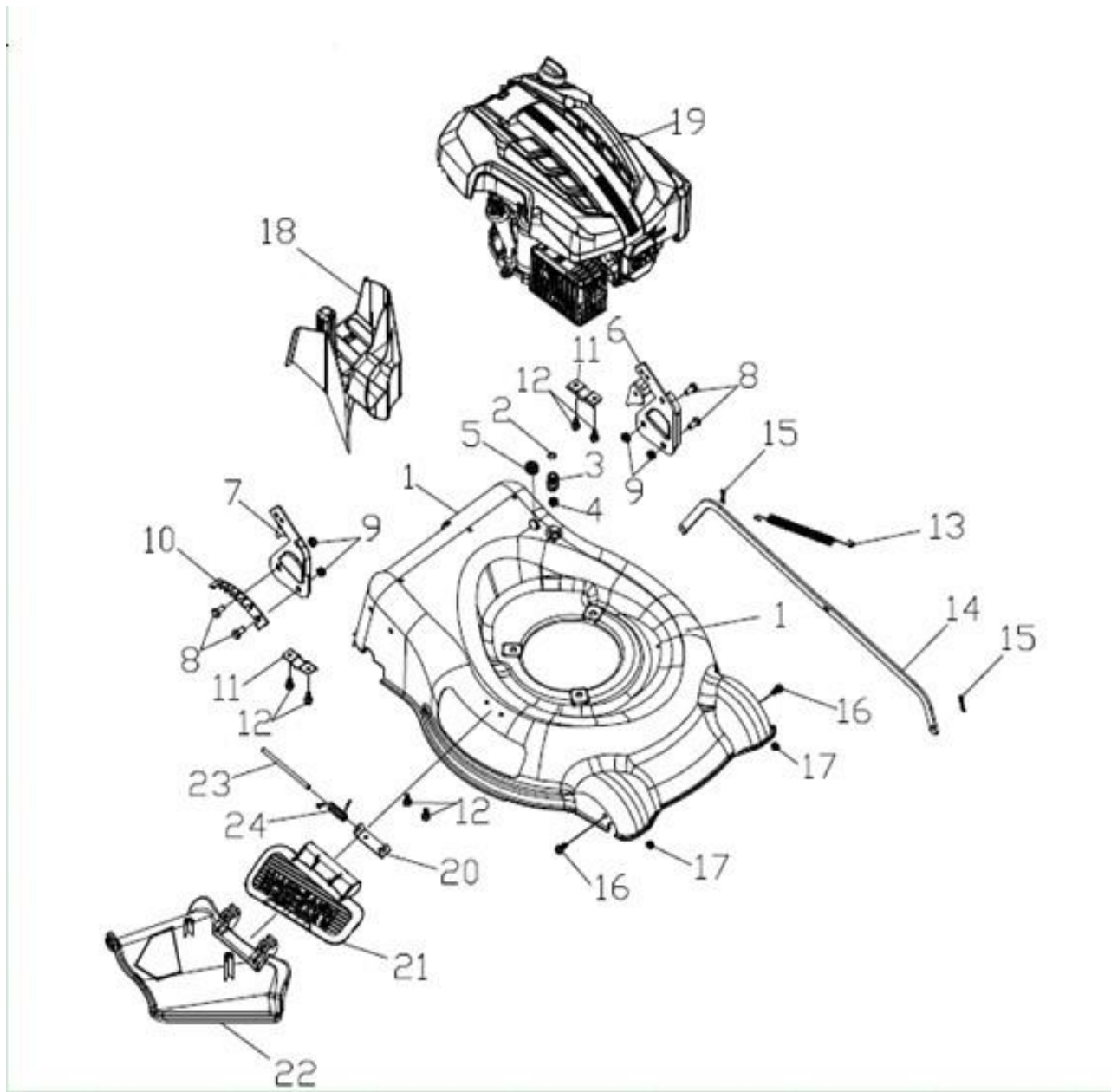


pozice	název	počet	
1	foam pipe	1	
2	stop lever	1	
3	Self-propelled Lever	1	
4	upper handrail	1	
5	Rope Guide	1	
6	Cap nut	1	
7	Brake Cable Assy plate	1	
8	Bolt	2	
9	Self-locking nut	2	
10	Plastic stopper	1	
11	brake cable	1	
12	selfpropelled cable	1	
13	quick fix knob	2	
14	Pin	2	

15	Quick Fix Handle	2	
16	lock for fast fix handle	2	
17	flat washer	4	
18	lock nut	2	
19	Hexagon nut	4	
20	lower handrail	1	
21	fastener	1	
22	Hexagon head bolts	2	
23	Half round head square neck	2	
24	boltsbolts Hex lock nut	2	
25	triangle knob	2	

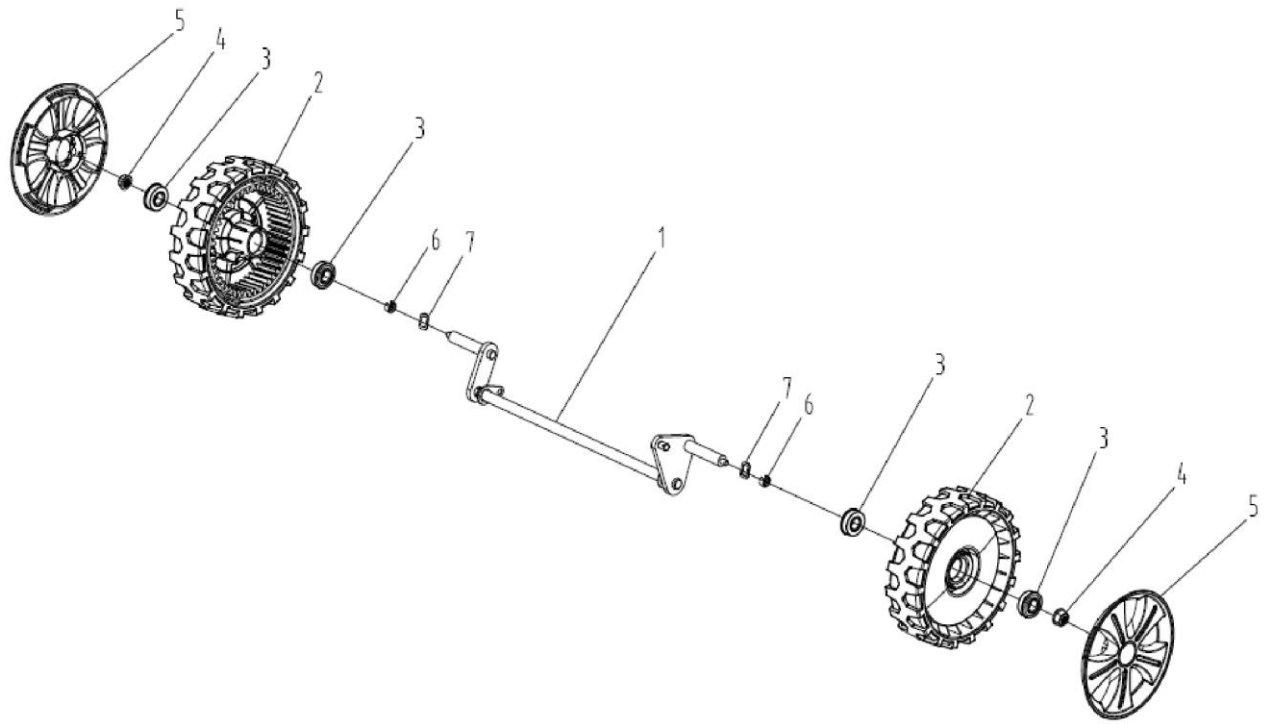


pozice	název	počet
--------	-------	-------

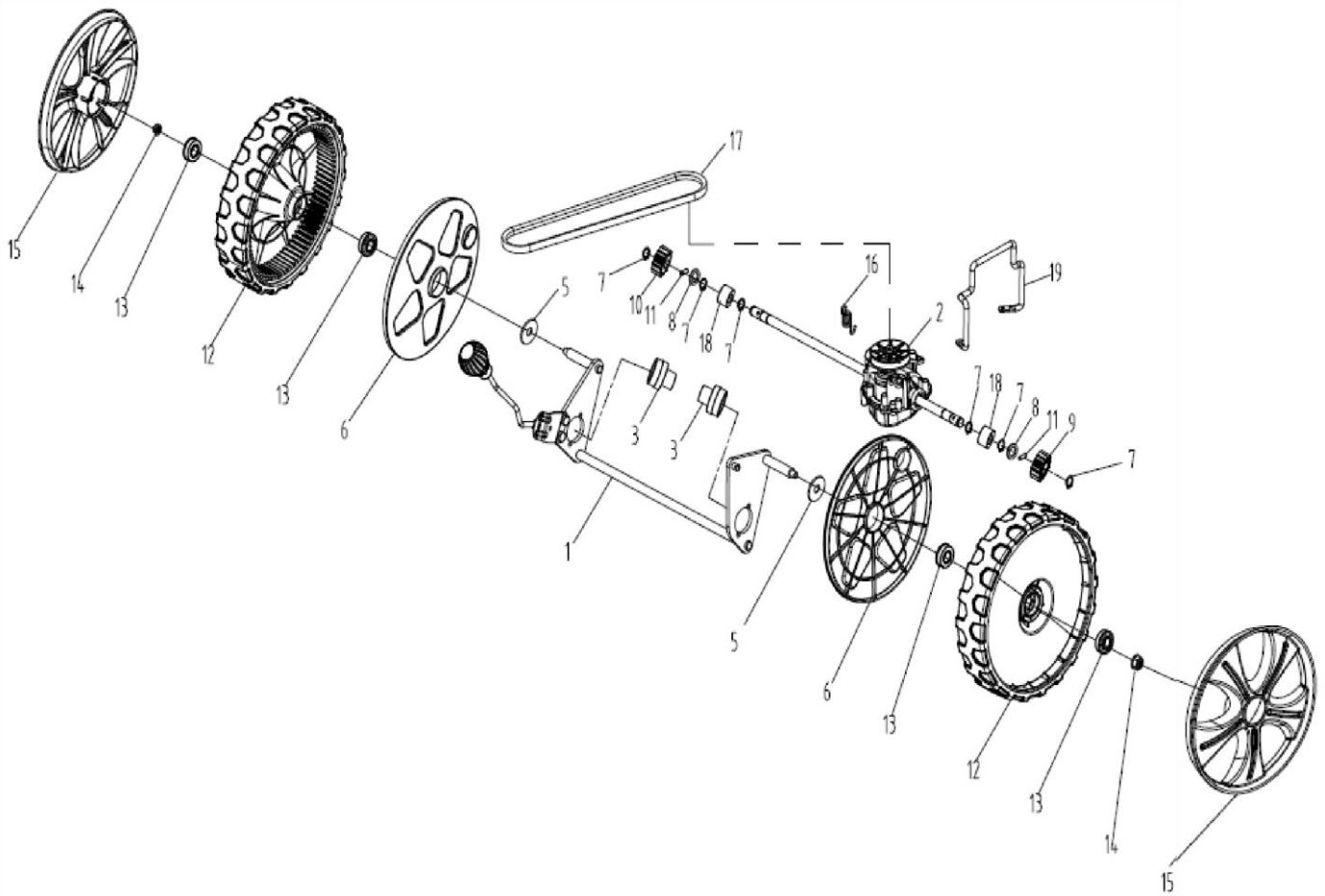
1	deck welding assy.	1	
---	--------------------	---	--

2	"O" ring	1	
3	inlet	1	
4	Pipe connector nut	1	
5	cable stopper	1	
6	left handle bracket	1	
7	left handle bracket	1	
8	Hexagon head bolts	4	
9	Hex lock nut	4	
10	height adjustment board	1	
11	rear drive bracket	2	
12	Hex tapping screws	6	
13	Pull Spring for Pull Rod	1	
14	Height Adjustment Pull Rod	1	
15	R type pin	2	
16	Bolt	2	
17	Self-locking nut	2	
18	mulching plug	1	
19	petrol engine	1	
20	Bracket plate for defelctor	1	

21	mulching board	1	
22	side discharge cover	1	
23	Mulch Shaft	1	
24	mulch board spring	1	

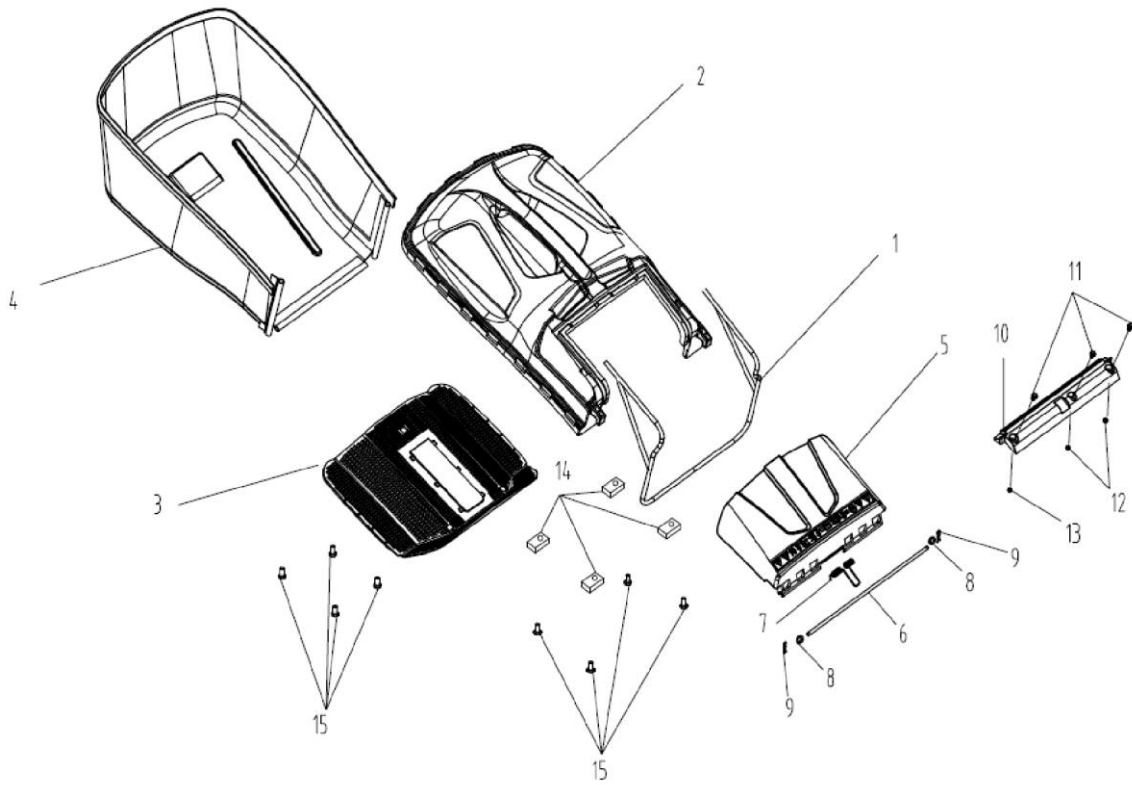


pozice	název	počet	
1	front drive assy.	1	
2	wheel assy.	2	
3	wheel punch bearing	4	
4	Self-locking nut	2	
5	outer cover of hub	2	
6	front bracket fastener	2	
7	Resilient washer	2	

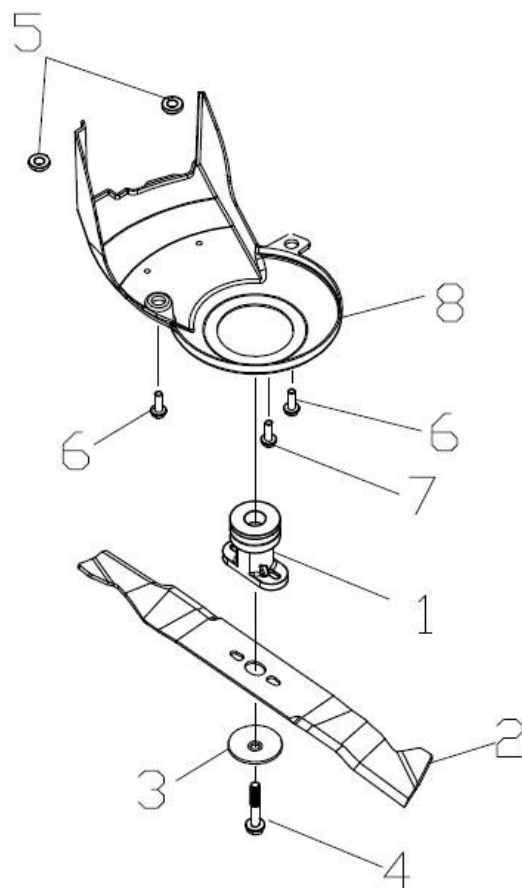


pozice	název	počet	
1	rear drive assy.	1	
	height adjustment ball	1	
2	petrol engine	1	
3	bush	2	
4			
5	Gasket	2	
6	inner cover of hub	2	
7	spring washer	6	
8	selfpropelled ratchet washer	2	
9	Ratchet Wheel L	1	
10	Ratchet Wheel R	1	
11	bratchet pin	2	
12	wheel assy.	2	
13	wheel punch bearing	4	
14	Self-locking nut	2	


15	outer cover of hub	2	
16	selfpropelled spring	1	
17	v belt	1	
18	rear wheel axle sleeve	2	
19	Brake spring	1	




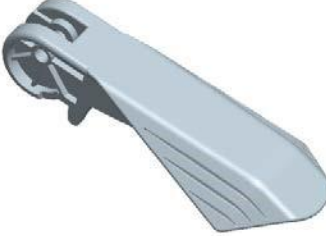




pozice	název	počet	
1	fabric metal frame	1	
2	top of grass box	1	
3	filter net of grass bag	1	
4	fabric grass bag	1	
5	rear discharge cover	1	
6	Shaft for rear discharge cover	1	
7	cover spring	1	
8	lock washer	2	
9	R type pin	2	
10	rear discharge cover dust proof	1	
11	board Bolt	3	
12	Self-locking nut	2	
13	Cap nut	1	
14	washer	4	
15	Phillips flat head self tapping screw	8	





pozice	název	počet	
1	Blade Adapter Assy	1	
2	blade	1	
3	blade washer	1	
4	Inch hex flange bolts	1	
5	Chassis bushing	2	
6	Hex flange bolts	2	
7	Hex flange bolts	1	
8	belt cover	1	

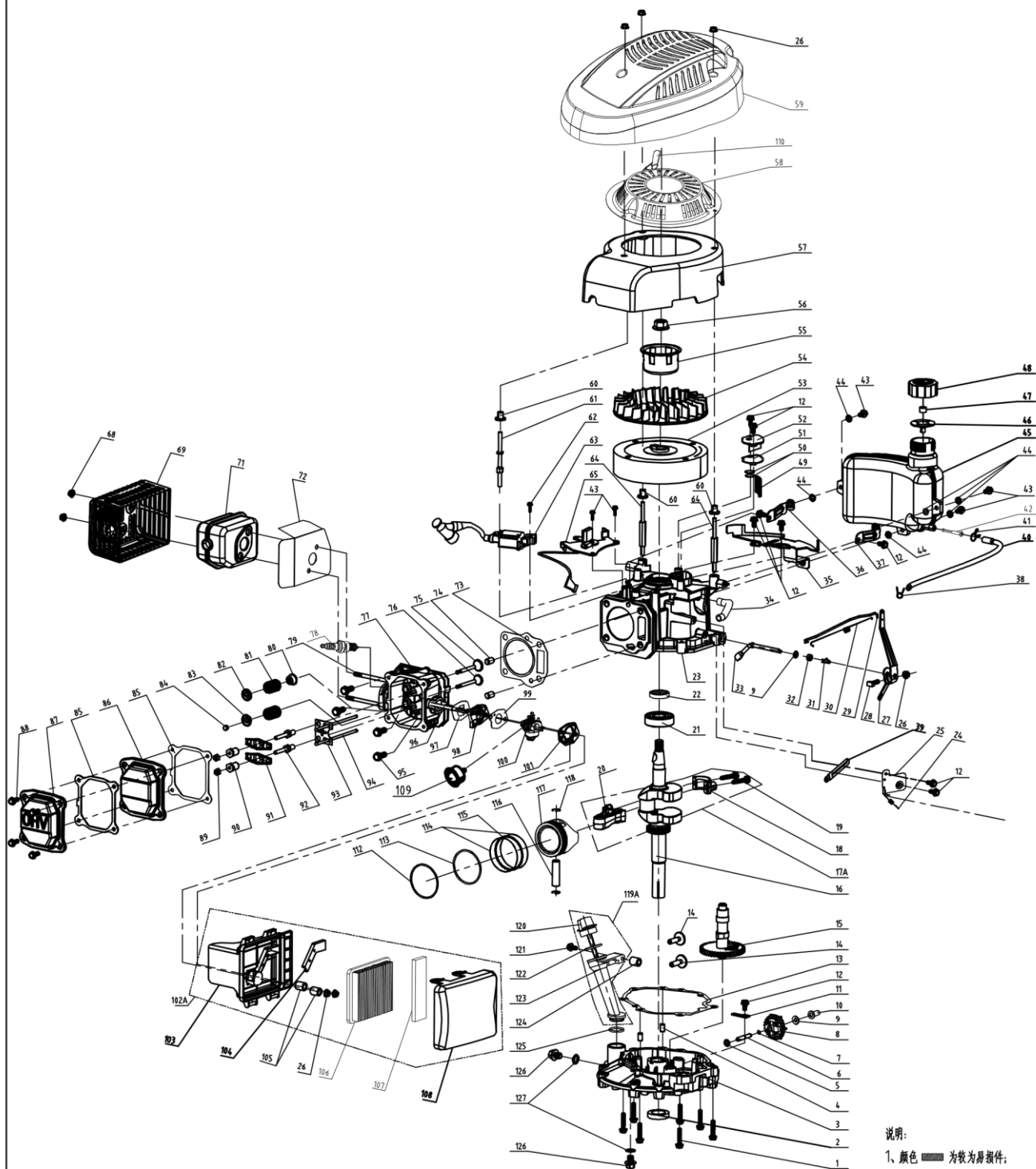
1	Blade Adapter Assy	
---	--------------------	---

2	blade	
3	wheel assy.	
4	outer cover of hub	
5	wheel assy.	
6	outer cover of hub	
7	belt cover	

8	v belt	
9	quick fix knob	
10	Pin	
11	Quick Fix Handle	
12	flat washer	
13	triangle knob	

14	mulching board	 A 3D rendering of a dark grey, curved mulching board. It features a series of rectangular slots along its length and a small protrusion at the top edge.
15	side discharge cover	 A 3D rendering of a dark grey, curved side discharge cover. It has a complex shape with a small protrusion at the top and a curved bottom edge.

T475-2汽油机分解图



- 说明:
- 1、颜色 为较为易损件;
 - 2、颜色 为一般易损件;
 - 3、本图为带刹车装置不带调速。

					宁波市德霖机械有限公司				
					T475带刹车不带调速款				
设计	共数	分图	更改大序号	签名	年月日	标准号	数量	重量	比例
校对				审核			1		1:4
审核									
工艺				批准			共1页	第1页	版本 A1

图号: T475-2
 比例: 1:4
 日期:
 共1页 第1页

Číslo

Poč. Název

BOM 单

1	Bolt	7
2	oil seal	1
3	Crank box cover	1
4	spacing pin	2
5	Gasket	1
6	rate-limiting gear shaft	1
7	Gear Shaft circlip	1
8	rete-limiting gear assy.	1
9	Gasket	2
10	Sliding Sleeve	1
11	rate-limiting gear shaft	1
12	Bolt	11
13		1
14	pin	2
15	camshaft assy.	1
16	crankshaft assy.	1
17	connecting rod assy.	1
18		1
19		2
20		1
21	rolling bearing	1
22	oil seal	1
23	crankshaft box	1
24	throttle control spring	1
25	throttle assy.	1
26	Hex flange nuts	6
27	throttle rocker arm	1
28	bolt	1
29	Handspike of Valve	1
30	valve spring	1
31	R type pin	1
32	oil seal	1
33	rate-limiting rocker arm shaft	1
34	waste pipe	1
35	main bracket of fuel tank	1
36	right bracket of fuel tank	1

37	left bracket of fuel tank	1
38	fuel pipe lock clamp II	1
39	clip	1
40	fuel pipe	1
41	fuel pipe lock clamp I	1
42		1
43	Bolt	3
44	Cushion Blocking gasket	6
45	fuel tank body	1
46	Fuel Tank Cap seal gasket	1
47	fuel tank cap sponge	1
48	fuel tank cap	1
49	oil filter net	1
50		2
51		1
52	Respirator Cover Plate Assy	1
53	flywheel assy	1
54	fan	1
55	starter hub	1
56	Hex flange nuts	1
57	Blower Housing	1
58	pull starter assy.	1
59		1
60		1
61	Different-shaped double-head bolts I	1
62	Bolt	1
63	ignition assy.	1
64	Different-shaped double-head bolts II	2
65	detent assy.	1
66		
67		
68	Self-locking nut	2
69	muffler cover assy.	1
70		
71	muffler assy.	1
72		1

73		1
74	spacing pin	2
75	IntakeValve	1
76	Exhaust Valve	1
77	cylinder head assy.	1
78	spark plug	1
79	Dual-head bolts	2
80	oil seal assy	1
81	valve spring	2
82	Spring Coil of Intake Valve	1
83	Spring Coil of Exhaust Valve	1
84	Top Cover of Exhaust Valve	1
85		2
86	cylinder head cover I	1
87	cylinder head cover II	1
88	Bolt	4
89	And nuts	2
90	Valve adjustment nut	2
91	Rocker of Valve	2
92	valve rocker arm support bolts	2
93	push rod director plate	1
94	push rod	2
95	locking bolt	4
96	Dual-head bolts	2
97		1
98	Air Inlet Pipe	1
99		1
100	carburetor assy.	1
101	Steel Gasket	1
102		
103	Air Filter Pedestal	1
104	Exhaust Gas Cover Board	1
105		2
106		1
107		1
108	Air Filter Upper Cover	1

109	prime button I	1
110	start handle	1
111		
112	Piston Ring I	1
113	Piston Ring II	1
114	Guide Rail	2
115	Bushing Ring	1
116	piston pin	1
117	Piston	1
118	Piston Pin circlip	2
119	Lubricating Gauge Assy	1
120		1
121	Bolt	1
122		1
123		1
124	Distance Sleeve of Lubricating Setting	1
125		1
126	Oil drain bolt	2
127	Oil drain bolt gasket	2